

S-Sight

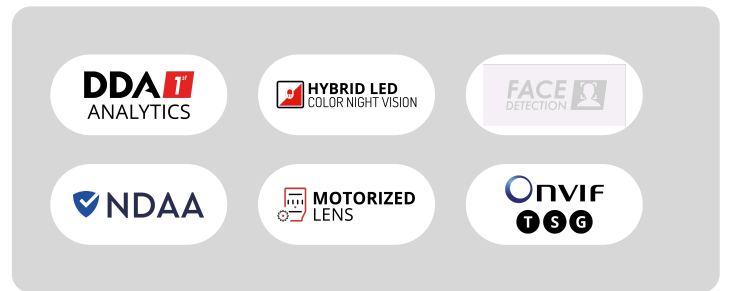
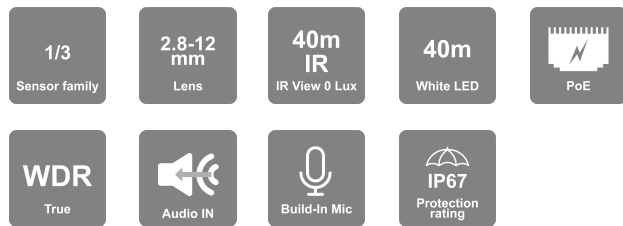
This series simplifies surveillance with high-quality images and enhanced night vision capabilities. Powered by AI (DDA™ Video Analytics and Face Recognition) and equipped with Check Point protection for comprehensive monitoring. Choose from rainbow cameras, Motorized Varifocal options, and Anti-Vandal designs for high-security areas.



BMH-340SRN-MVF

24/7 Full-Color 4MP Motorized Lens Medium Bullet Camera With Hybrid 40m IR And White LED

The rainbow camera series is equipped with super light-sensitive sensors that allow the camera to provide a color image throughout the day. When the ambient light is insufficient, the camera will turn on the integral lighting, allowing it to continue providing a full-color image. The Hybrid solution lets you choose between standard IR, which provides a B&W image, and white LED, which provides a colorful image. The camera also offers outstanding DDA Analytics (Detect, Distinguish, Alert), which can perform human and vehicle recognition. With its outstanding performance, reliability, and affordable price, the BMH-340SRN-MVF camera is the perfect solution for indoor/outdoor installations.



MAIN FEATURES

- BMH-340SRN-MVF
- Sensor: 1/3" CMOS (16:9)
- Resolution: 2592×1520 25/30FPS (4MP)
- Lens: 2.8-12mm MVF with Auto Focus (97°-33°) ICR + 24/7 Full-Color Day Mode
- Illumination: 40m (1 High-Power IR LED) + 40m (2 High-Power White LED)
- Compression: H.265+/ H.264+ / H.265 / H.264 / MJPEG
- General Analytics: Camera Tampering
- AI (Object Recognition): DDA Sterile Area, DDA Line Crossing
- True WDR (120dB), BLC, HLC, ROI
- SD Card: Event/Schedule Record (Up to 128Gb)
- Built-in Microphone + Audio input
- ONVIF: Profile T/S/G
- Water Proof: IP67
- Weight: ~650g
- Power: DC12V/~780mA / PoE/~7.4W



<https://provision-isr.com>

SPECIFICATIONS

| 3rd Party Cyber Protection | |
|----------------------------|---|
| General | N/A |
| Protection Methods | N/A |
| NDAA Compliant | |
| NDAA Compliant | Yes |
| Video | |
| Image Sensor | 1/3" CMOS (16:9) |
| Effective Pixels | 2592×1520 |
| Electronic Shutter | 1/25s ~ 1/100000s |
| Day & Night | ICR + 24/7 Full-Color Day Mode |
| Min. Illumination | Day: 0.1lux / Night: 0.003lux (@F1.0, AGC on) 0lux with IR on |
| Audio | |
| Audio compression | G.711A/G.711U |
| Communication | One-Way Audio |
| Image | |
| Image Settings | AWB, AGC Adjustable, Exposure Mode (Auto) Sharpness, Saturation, Brightness & Contrast Adjustable |
| Image Enhancement | True WDR (120dB), BLC, HLC, ROI |
| Noise Reduction | 3D-DNR |
| Image Orientation | Mirror/Flip, Corridor Mode |
| Privacy Zone | Yes |
| Events and Analytics | |
| Analytics | General Analytics: Camera Tampering AI (Object Recognition); DDA Sterile Area, DDA Line Crossing |
| Motion Detection | Yes |
| Compression | |

| | |
|--------------------------|---|
| Resolution | 4MP (2560x1440) / 3MP (2304x1296) / 2MP (1920x1080) / D1 / QVGA / CIF |
| Frame Rate | 1-25/30FPS |
| Video Compression | H.265+ / H.264+ / H.265 / H.264 / MJPEG** |
| Multi-Stream | Master Stream: 4MP (2560x1440) / 3MP (2304x1296) / 2MP (1~30fps) Substream: 1MP (1~12/15fps) / QVGA/D1/CIF (1~30fps) Third Stream: QVGA/D1/CIF (1~30fps) |
| Bit Rate | 64Kbps ~ 5Mbps@H.265 / 64Kbps ~ 5Mbps@H.264 |
| Encode Mode | VBR/CBR |
| Image Quality | Five levels under VBR; Free adjustment under CBR |

| Lens | |
|-----------------------------|--|
| Lens (Field of View) | 2.8-12mm MVF with Auto Focus (97°-33°) |
| Iris | DC Iris |
| Lens Mount | Ø14 Mount |
| Detect | 2.8~12mm(W): 59.05m(193.73ft) - 2.8~12mm(T): 181.84m(596.58ft) |
| Recognize | 2.8~12mm(W): 11.81m(38.74ft) - 2.8~12mm(T): 36.37m(119.32ft) |
| Identify | 2.8~12mm(W): 5.90m(19.35ft) - 2.8~12mm(T): 18.18m(59.64ft) |

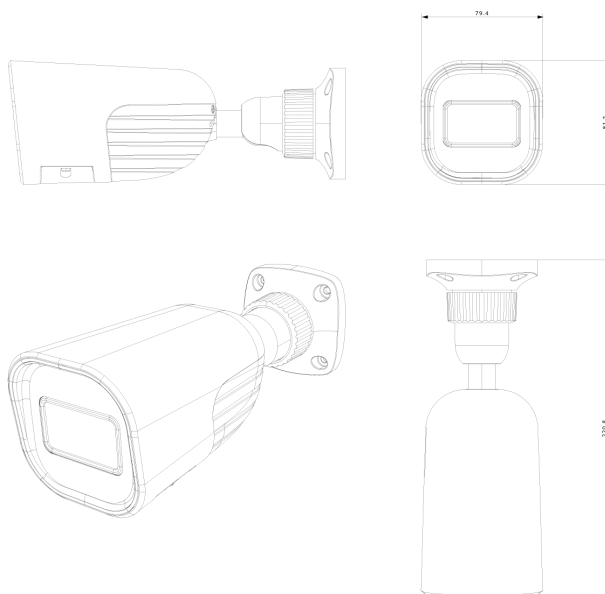
| Network | |
|--------------------------|---|
| User Access | Supports simultaneous monitoring of up to 3 users with multi-stream real-time transmission |
| Network Protocol | IPv4, IPv6, TCP, UDP, DHCP, NTP, DDNS, 802.1X, RTSP, Multicast, UPnP, Email, FTP, HTTPS, QoS, P2P |
| Remote Monitoring | Web Browsing, Ossia VMS Software, Provision Cam2 Mobile App |
| Ethernet | 100Mbps |
| ONVIF | Profile T/S/G |

| Connectivity | |
|---------------------------|-----------------------------------|
| Network | RJ45 (+PoE) |
| Audio Connectivity | Built-in Microphone + Audio input |

| | |
|----------------------------|---|
| Alarm | No |
| SD Card | Event/Schedule based Main/Substream recording (Up to 128Gb) |
| Wiegand | No |
| Power | DC Socket |
| Analog Video Output | No |

| Housing | |
|--------------------------|--|
| PoE | Yes |
| Illumination | 40m (1 High-Power IR LED) 40m (2 High-Power White LED) |
| Power Supply | DC12V/~780mA / PoE/~7.4W |
| Protection Rate | Water Proof: IP67 |
| Work Environment | -30°C~60°C, 10%~90% Humidity |
| Bracket | 3-Axis Bracket |
| Dimensions | 220.8x79.4x81.2mm |
| Weight (gross) | ~650g |
| Hard Reset Button | Yes |

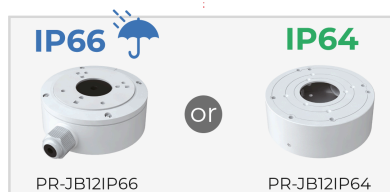
DIMENSIONS



ACCESSORIES



+



+

